

Wedge

WED-1-B

The Wedge is a cleverly designed, cost effective sign support that is simple to use. Available in black.



features and benefits:

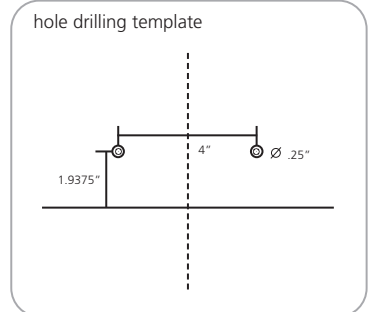
- Simple to use sign support
- Combine multiple units for longer and taller displays
- Contour cut graphics looks great
- Graphics not included
- Black only
- Five year warranty against all manufacturers defects

dimensions:

Hardware	Graphic
Unit base dimensions (fully assembled with graphic): 11.875" w x 3.25" h x 15.25" d	Graphic size is variable. Graphic dimensions determined by user. 1 Wedge supports a graphic up to 24" x 48"
Shipping Shipping dimensions: 14" x 10" x 5"	2 Wedges support a graphic up to 48" x 96"
Shipping weight: 7 lbs / 3.18 kg	

additional information:

Recommended substrate: (for up to 48" tall)
 1/2" Gatorboard



We are continually improving and modifying our product range and reserve the right to vary the specifications without prior notice. All dimensions and weights quoted are approximate and we accept no responsibility for variance. E&OE. See Graphic Templates for graphic bleed specifications.

Set-up

